

# E/One Sentry™

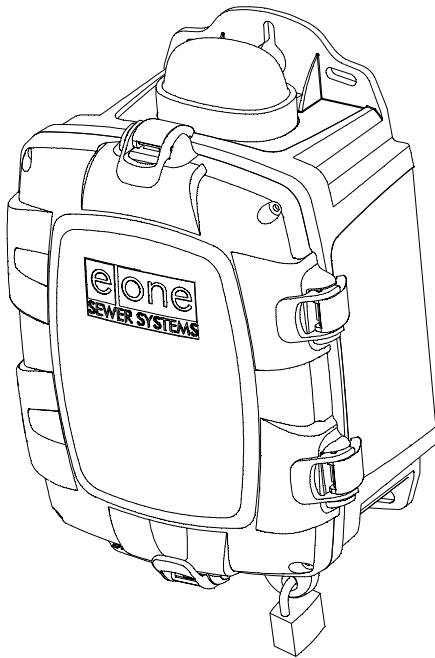
## *Alarm Panel — Basic Package*

### **Description**

The E/One Sentry panels are custom designed for use with Environment One grinder pump stations. They can be configured to meet the needs of your application, from basic alarm indication to advanced warning of pending service requirements.

E/One Sentry panels are supplied with audible and visual high level alarms. They are easily installed in accordance with relevant national and local codes. Standard panels are approved by UL, CSA, CE and NSF to ensure high quality and safety.

The panel features a corrosion-proof, NEMA 4X-rated, thermoplastic enclosure. A padlock is provided to prevent unauthorized entry (safety front).



### **Features**

Circuit breakers, 240 or 120 VAC service

Terminal blocks and ground lugs

Audible alarm with manual silence

Manual run feature and run indicator

Redundant “Start” function with high level alarm

Safety front — authorized personnel only when locked

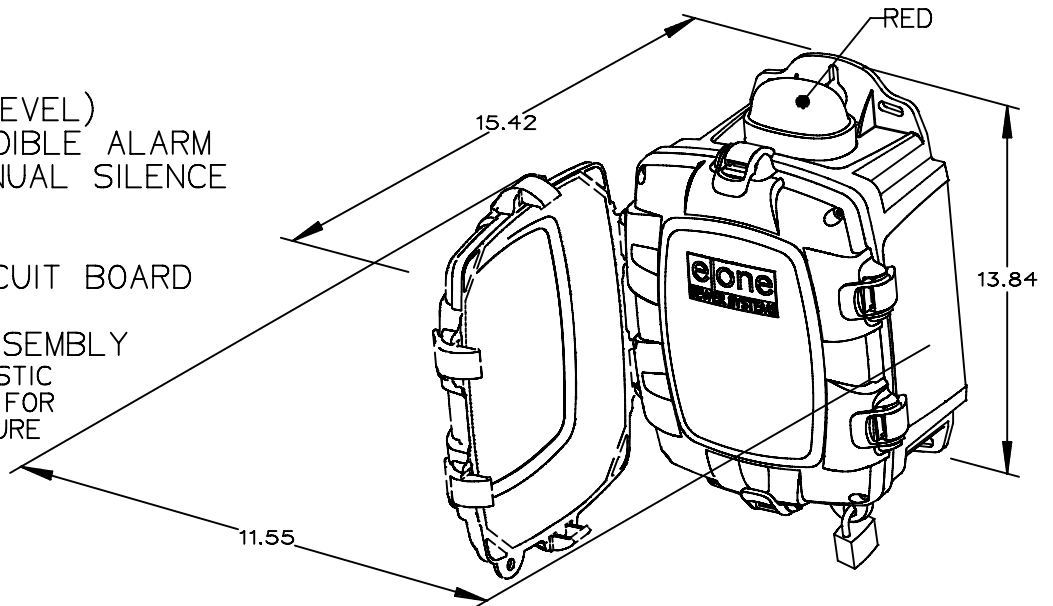
Conformal-coated alarm board (both sides)

Alarm board overload protection

Please consult factory for special applications.

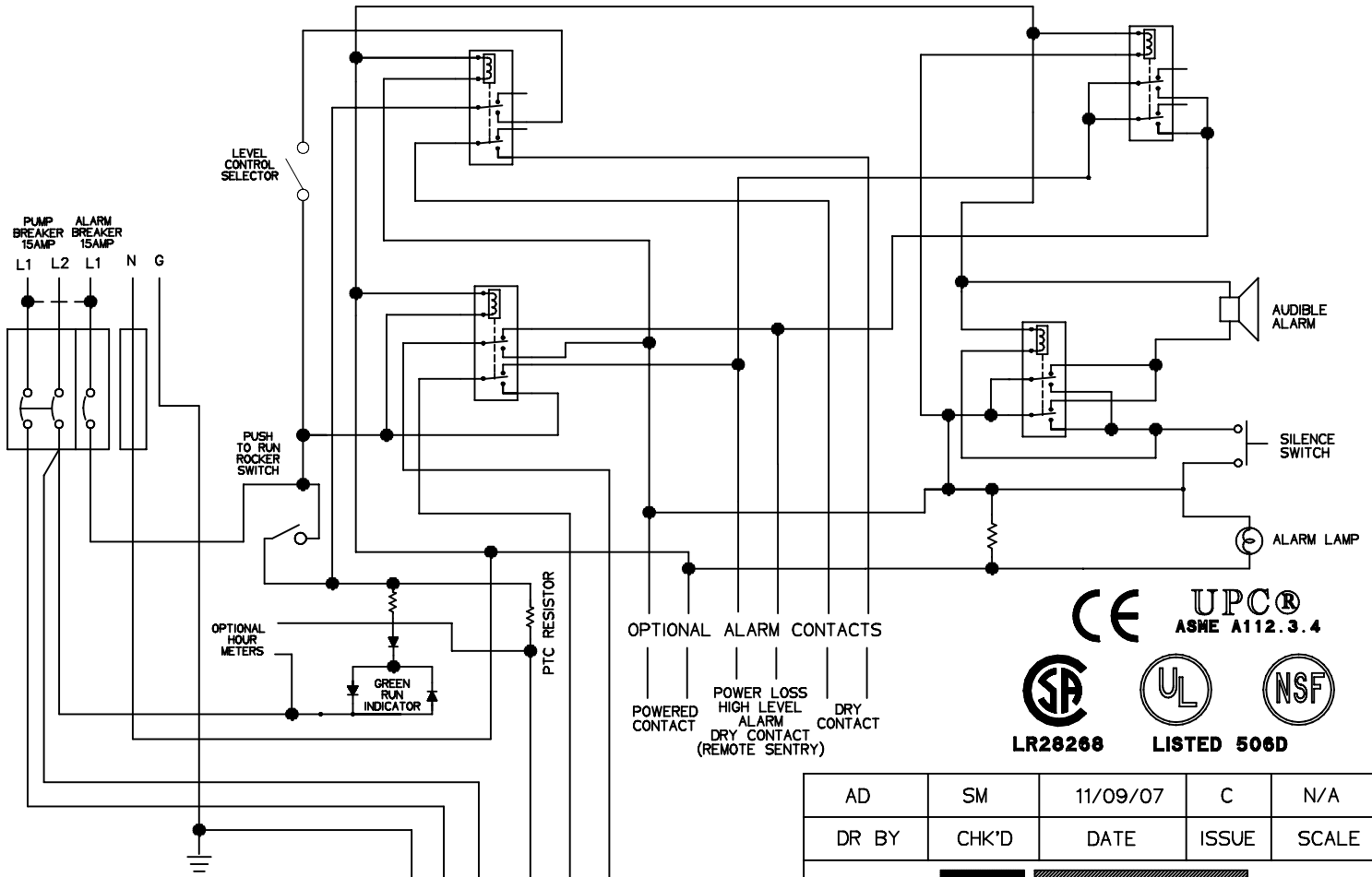
# SIMPLEX SENTRY

REDUNDANT RUN (HIGH LEVEL)  
 EXTERNAL VISUAL & AUDIBLE ALARM  
 EXTERNAL LATCHING MANUAL SILENCE  
 MANUAL RUN  
 PUMP RUN INDICATOR  
 CONFORMAL COATED CIRCUIT BOARD  
 PADLOCK  
 NEMA 4X ENCLOSURE ASSEMBLY  
 CORROSION PROOF THERMOPLASTIC  
 POLYESTER APPROVED BY UL FOR  
 ELECTRICAL CONTROL ENCLOSURE



## OPTIONS:

- ALARM CONTACTS
- HOUR METER



CE UPC® ASME A112.3.4  
 CSA UL NSF  
 LR26268 LISTED 506D

PIN	FUNCTION	2000S	EXTREME
1	MANUAL RUN	RED	BROWN
2	L1	BLACK	RED
3	L2	WHITE	BLACK
4	GND	GREEN	GRN/YEL
5	ALARM FEED	ORANGE	YELLOW
6	ALARM RETURN	BLUE	BLUE

TO PUMP  
 GND L1 L2  
 PUMP POWER  
 MANUAL RUN  
 FEED  
 RETURN  
 ALARM

AD	SM	11/09/07	C	N/A
DR BY	CHK'D	DATE	ISSUE	SCALE



SIMPLEX SENTRY, 240V 60Hz.  
 DOUBLE POLE POWER

CONTROL CABLE:  
 TYPE TC: DIRECT BURIAL, 12AWG,  
 SIX CONDUCTOR

LM000326