

## STRASBURG TOWNSHIP

### PROCEDURE FOR BUILDING SEWER CONNECTION TO CREEKVIEW SEWER LATERALS

The procedure for the building sewer connection shall be as follows:

- COMPLETION OF APPLICATION AND PAYMENT OF FEES

The owner and/or contractor shall complete the Strasburg Borough Authority Connection Application and the Strasburg Township Connection Application and provide all fees and agreements required. The application shall be accompanied by a sketch of the proposed connection. The sketch shall provide all material specifications. Attached are applicable Strasburg Borough Authority details that will be required for your connection.

Note: If grinder pump is required for connection the pump shall be an Eone pump. The Township will supply pump at Twp cost to owner.

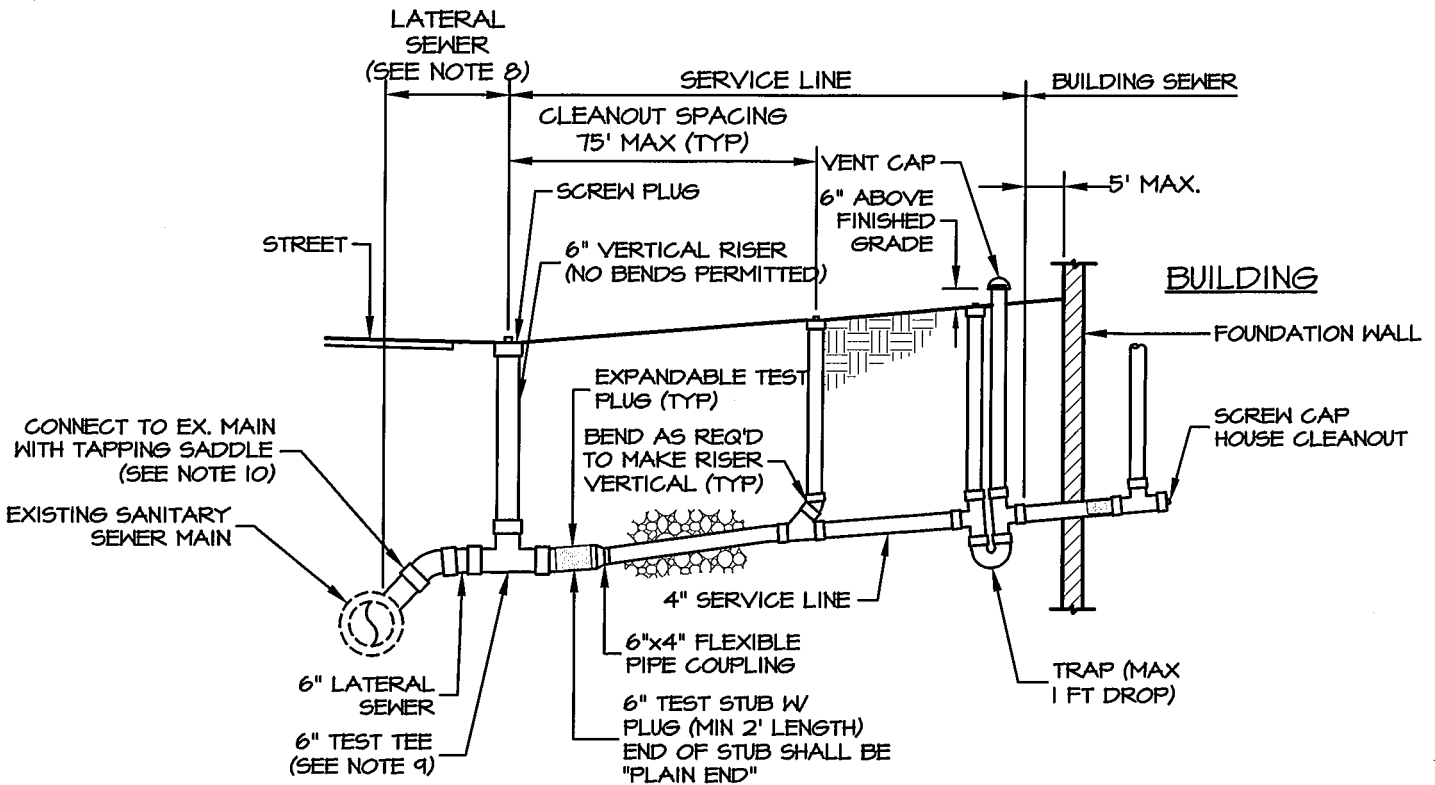
- LATERAL INSPECTION :

After the building sewer has been installed but before backfilling, the Applicant shall schedule an inspection with the Strasburg Borough Authority (717-687-6233) Commonwealth Code Inspection Service (Pete Kingsley 717-278-0964) shall inspect all completed electrical connections if a grinder pump is required. The fee per inspection is \$60 and is the owner's responsibility. The owner shall prearrange the inspection a minimum 24 hours prior to the request for inspection date and time.

- DECOMMISSIONING ON-LOT SEWER SYSTEM:

The owner is required to decommission the existing sewage system. All existing sewage tanks shall be pumped to remove the effluent prior to decommissioning with one of the following methods:

1. Remove tanks and backfill with suitable soil.
2. Crush tanks in place and backfill with suitable soil.
3. Completely fill existing tanks with sand or aggregate material.



**NOTES:**

1. PROVIDE 6" OF AASHTO NO. 8 (1B) STONE BELOW PIPE AND 12" ABOVE PIPE (TYPICAL ENTIRE LENGTH OF LATERAL).
2. MINIMUM SLOPE: 6" MIN. SLOPE = 1% (1/8" PER FT.), 4" MIN. SLOPE = 2% (1/4" PER FT)
3. MINIMUM DEPTH OF COVER: 4 FT (UNLESS SPECIFICALLY APPROVED BY AUTHORITY)
4. PIPE MATERIALS: LATERAL SEWER AND SERVICE LINES SHALL CONSIST OF PVC SDR-35 PIPING (UNLESS SPECIFICALLY APPROVED BY AUTHORITY).
5. TO CONDUCT AIR TESTING OF SERVICE LINE, INSTALL EXPANDABLE PLUGS AT LOCATIONS SHOWN. AT COMPLETION OF AIR TESTING, REMOVE PLUGS, & INSTALL RISER ON 6" LATERAL SEWER TEST TEE.
6. NO SEWER SERVICE LINE VENT CAPS SHALL BE INSTALLED WITHIN A 100-YR FLOOD PLAIN OR WITHIN FLOOD PRONE AREAS.
7. NO VENT CAPS OR CLEANOUTS SHALL BE INSTALLED IN DRIVEWAYS OR OTHER PAVED AREAS, UNLESS SPECIFICALLY APPROVED BY AUTHORITY.
8. THE LATERAL SEWER SHALL BE INSTALLED TO THE EDGE OF THE SEWER EASEMENT FOR SEWERS LOCATED IN AN EASEMENT OR TO THE STREET RIGHT-OF-WAY AS A MINIMUM, OR TO SUCH POINT, AS REQUIRED, TO CLEAR STREET SIDEWALKS AND UNDERGROUND UTILITIES.
9. SET 6" TEST TEE AT 1% SLOPE TO PERMIT VERTICAL RISER INSTALLATION W/ NO BENDS.
10. REFER TO S16 SADDLE CONNECTION DETAIL OR S17 TAPPING LINED RIGID PIPE DETAIL.

## TYP. LATERAL SEWER & SERVICE LINE INSTALLATION

NO SCALE



### TYP. LATERAL SEWER & SERVICE LINE INSTALLATION STRASBURG BOROUGH AUTHORITY STANDARD DETAIL

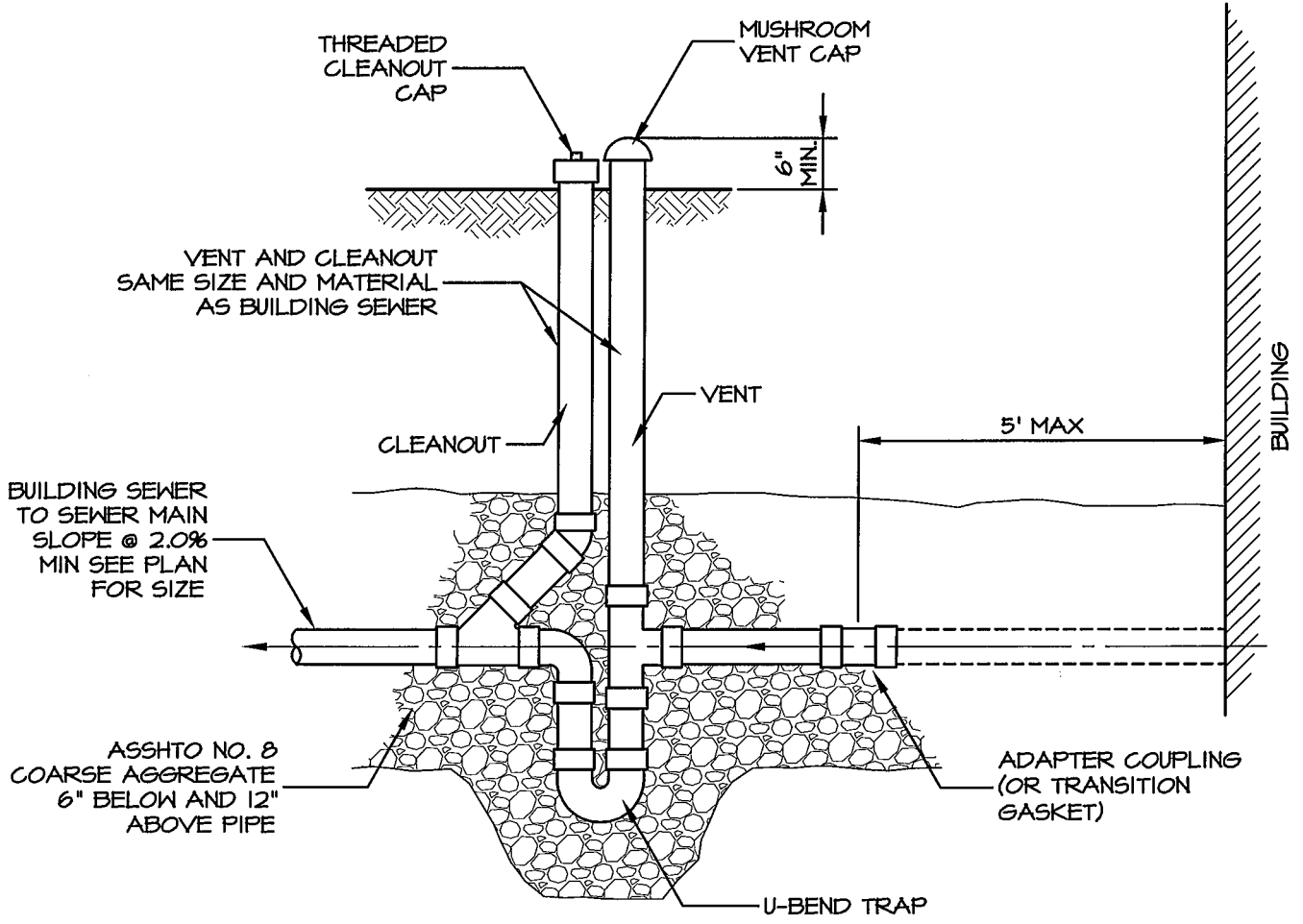
743 S. BROAD ST.  
LITITZ, PA 17543  
(717) 626-7271  
elagroup.com

SCALE:	NO SCALE
DRAWN BY:	TMO
DATE:	AUGUST 2023

DRAWING:  
**S-15**

DRAWING: C:\Users\mmodemolizer\Documents\ELA Group\17-000 Sanitary Sewer Specs and Detail Updates\Project Files\CAV Data\Utility\DETAILS\SD-15 - PL011.DWG - Sep 12, 2023 4:00 pm

DRAWING: C:\Users\tmoe\Documents\Projects\Strasburg\DWG\TRAP AND VENT DETAIL.dwg - PLOT FILE: Sep 14, 2023 4:30 pm



NOTE:  
 ALL FITTINGS ASSOCIATED WITH CLEANOUT, TRAP AND VENT SHALL BE SOLVENT WELD.

## TRAP AND VENT DETAIL

NO SCALE



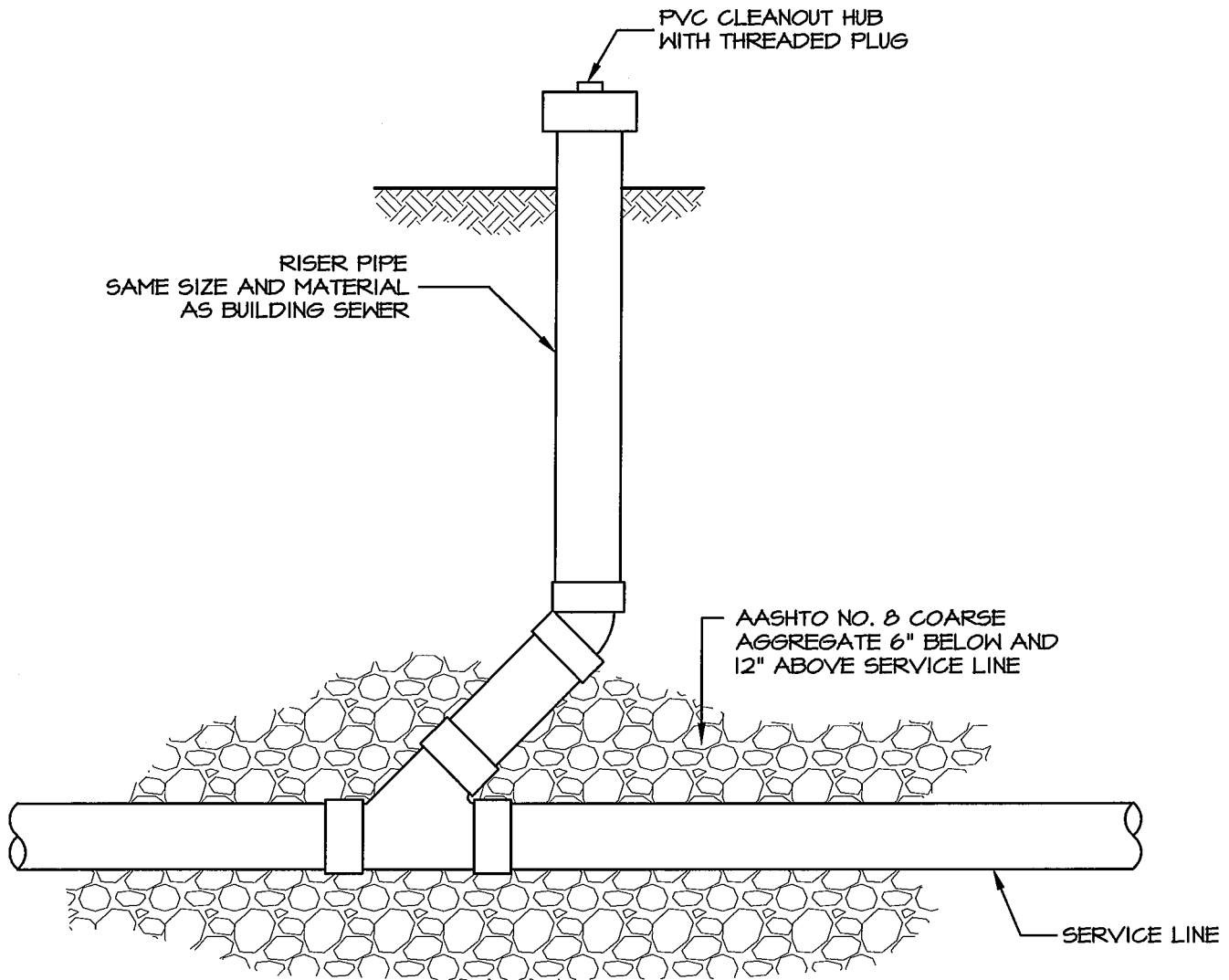
743 S. BROAD ST.  
 LITITZ, PA 17543  
 (717) 626-7271  
 elagroup.com

### TRAP AND VENT DETAIL STRASBURG BOROUGH AUTHORITY STANDARD DETAIL

SCALE:	NO SCALE
DRAWN BY:	TMO
DATE:	AUGUST 2023

DRAWING:  
**S-18**

DRAWING: C:\Users\tombertmiller\Documents\Projects\Strasburg\Strasburg\DWG\NEW\_CLEANOUT\_IN\_LAWN Areas.dwg - PLOT FILE: Sep 12, 2023 4:34 pm



**NOTES:**

1. CLEANOUTS SHALL BE INSTALLED ON ALL GRAVITY SERVICE LINE AND LATERAL BENDS AND SHALL BE A MAXIMUM OF 75' APART ON STRAIGHT RUNS.
2. TOPS OF CLEANOUTS SHALL BE SET 3"-6" ABOVE GRADE UNLESS OTHERWISE DIRECTED BY THE AUTHORITY.

## NEW CLEANOUT IN LAWN AREAS

NO SCALE

### NEW CLEANOUT IN LAWN AREAS

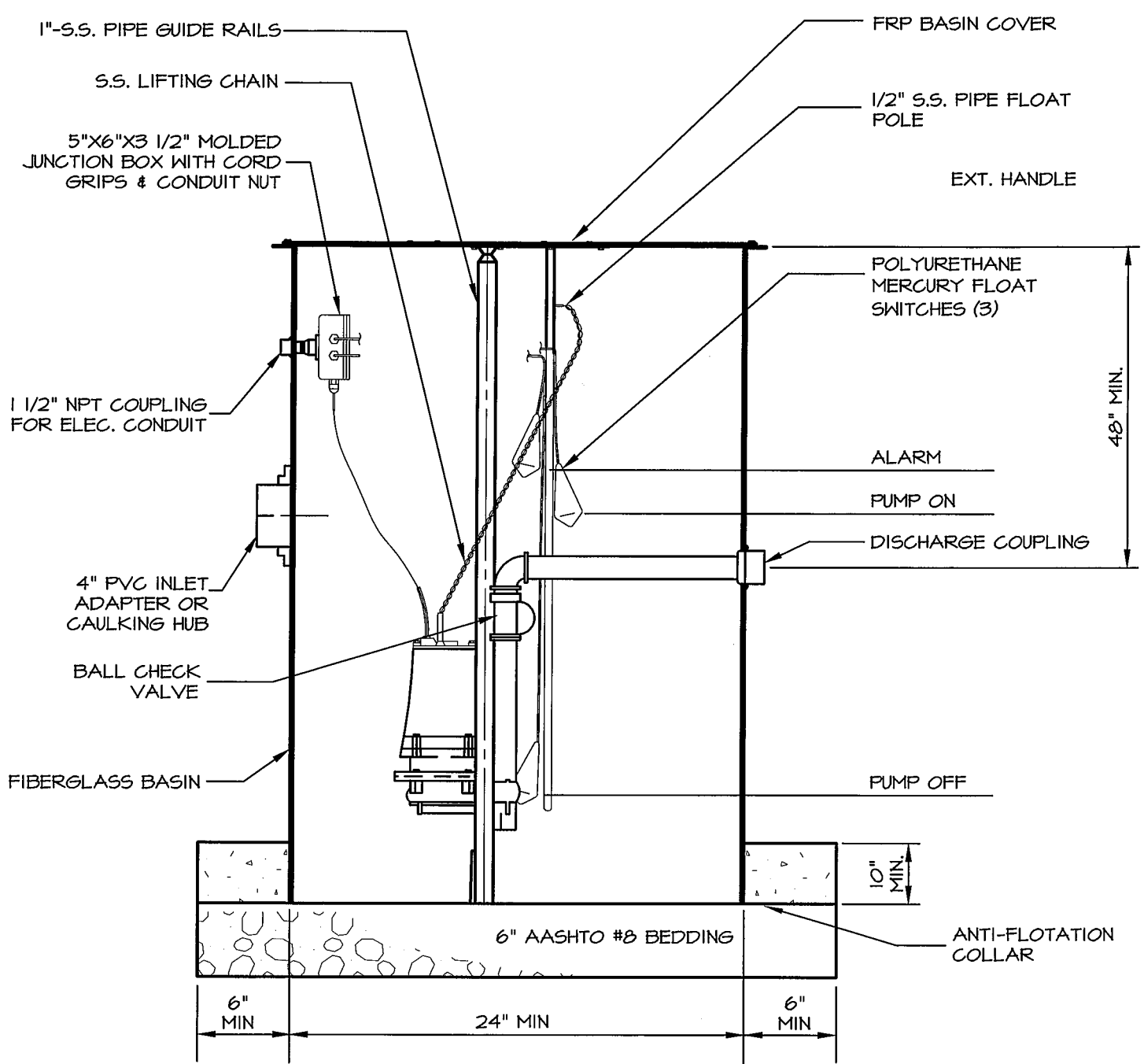
#### STRASBURG BOROUGH AUTHORITY STANDARD DETAIL



743 S. BROAD ST.  
LITITZ, PA 17543  
(717) 626-7271  
elagroup.com

SCALE:	NO SCALE
DRAWN BY:	TMO
DATE:	AUGUST 2023

DRAWING:
S-20



# TYPICAL RESIDENTIAL GRINDER PUMP STATION-FIBERGLASS

NO SCALE

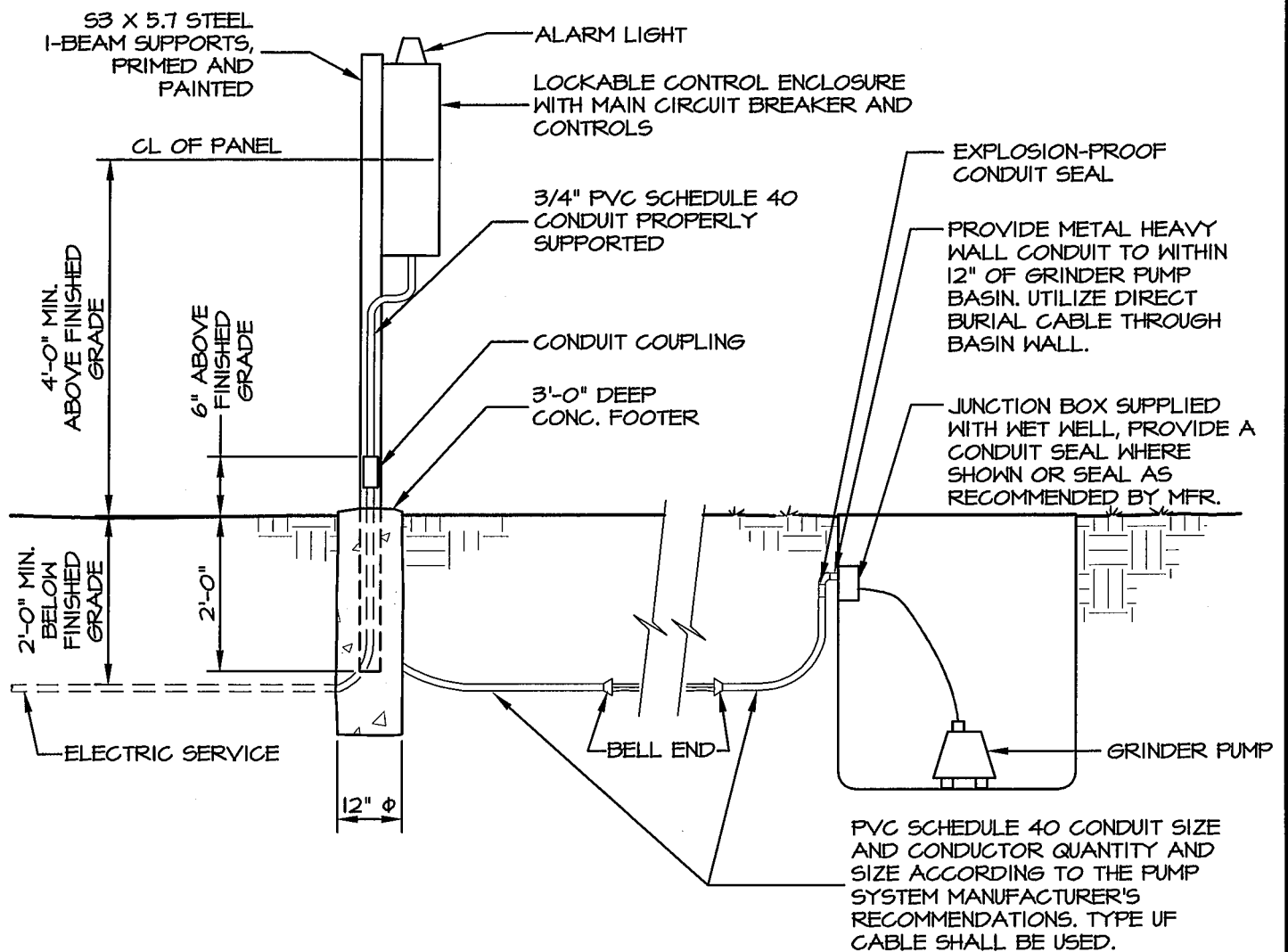


## TYPICAL RESIDENTIAL GRINDER PUMP STATION-FIBERGLASS STRASBURG BOROUGH AUTHORITY STANDARD DETAIL

743 S. BROAD ST.  
LITITZ, PA 17543  
(717) 626-7271  
elagroup.com

SCALE:	NO SCALE	DRAWING:
DRAWN BY:	TMO	S-22
DATE:	AUGUST 2023	

C:\Users\jwdeveney\OneDrive\Documents\Projects\Strasburg\23-003 Sanitary Sewer Specs and Detail Updates\Project Files\CAU Data\UtilityDetails.dwg - PLOTTED: Dec 11, 2023 9:01 pm



## GRINDER PUMP ELECTRICAL DETAIL

NO SCALE



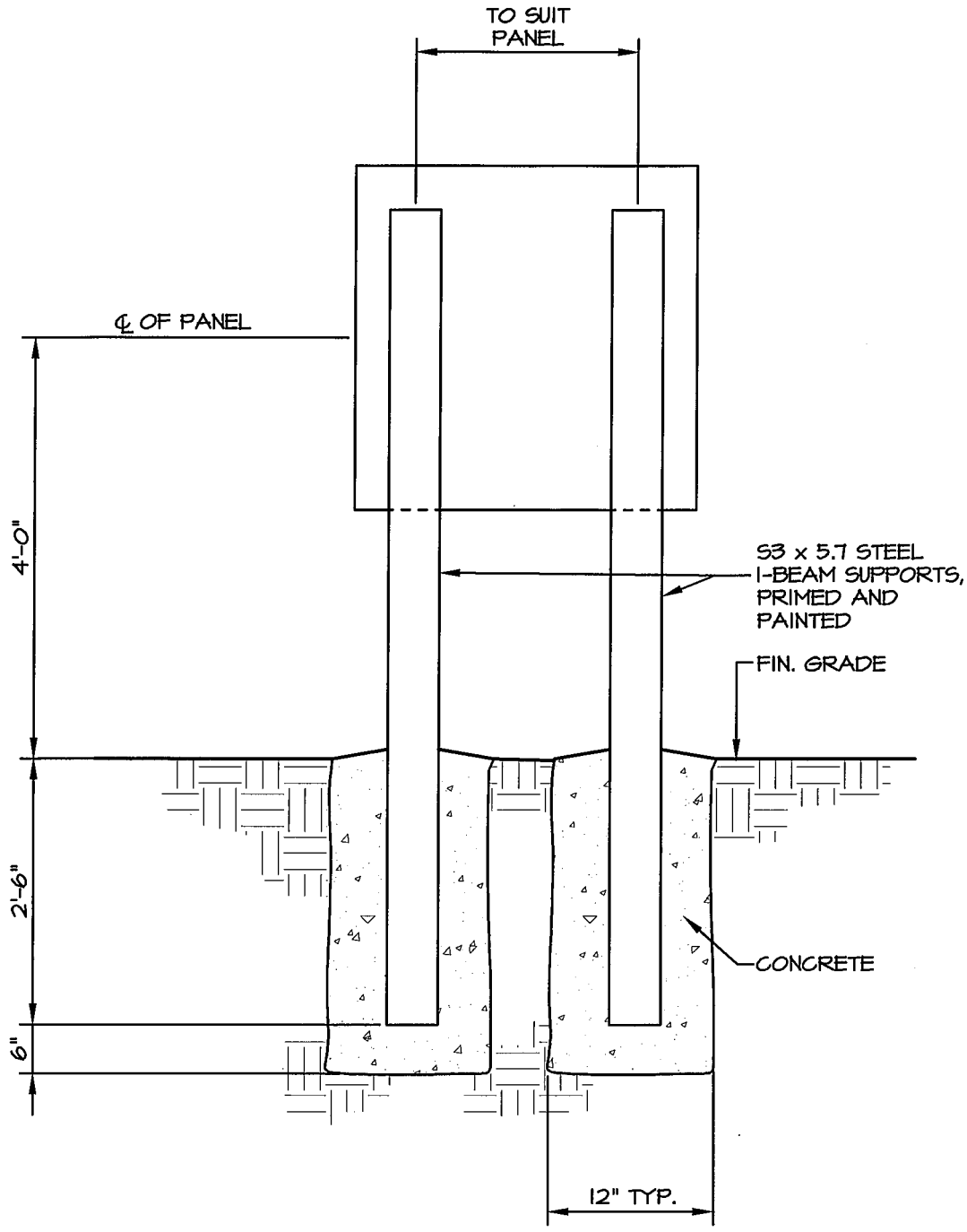
743 S. BROAD ST.  
LITITZ, PA 17543  
(717) 626-7271  
elagroup.com

### GRINDER PUMP ELECTRICAL DETAIL STRASBURG BOROUGH AUTHORITY STANDARD DETAIL

SCALE:	NO SCALE
DRAWN BY:	TMO
DATE:	AUGUST 2023

DRAWING:  
S-23

C:\Users\mobern\Documents\Projects\Strasburg\Drawings\2023\2023-08-23\2023-08-23 4:34 pm



PUMP STATION  
CONTROL PANEL SUPPORT POST

NO SCALE

DRAWING: C:\Users\mpoemolitzer\Documents\ELA\_Group\14-030 Sanitary Sewer Specs and Detail Updates\Project Files\CAU\_Drawing\DETAILED.dwg - PLOT | TEL: Sep 12, 2023 4:34 pm

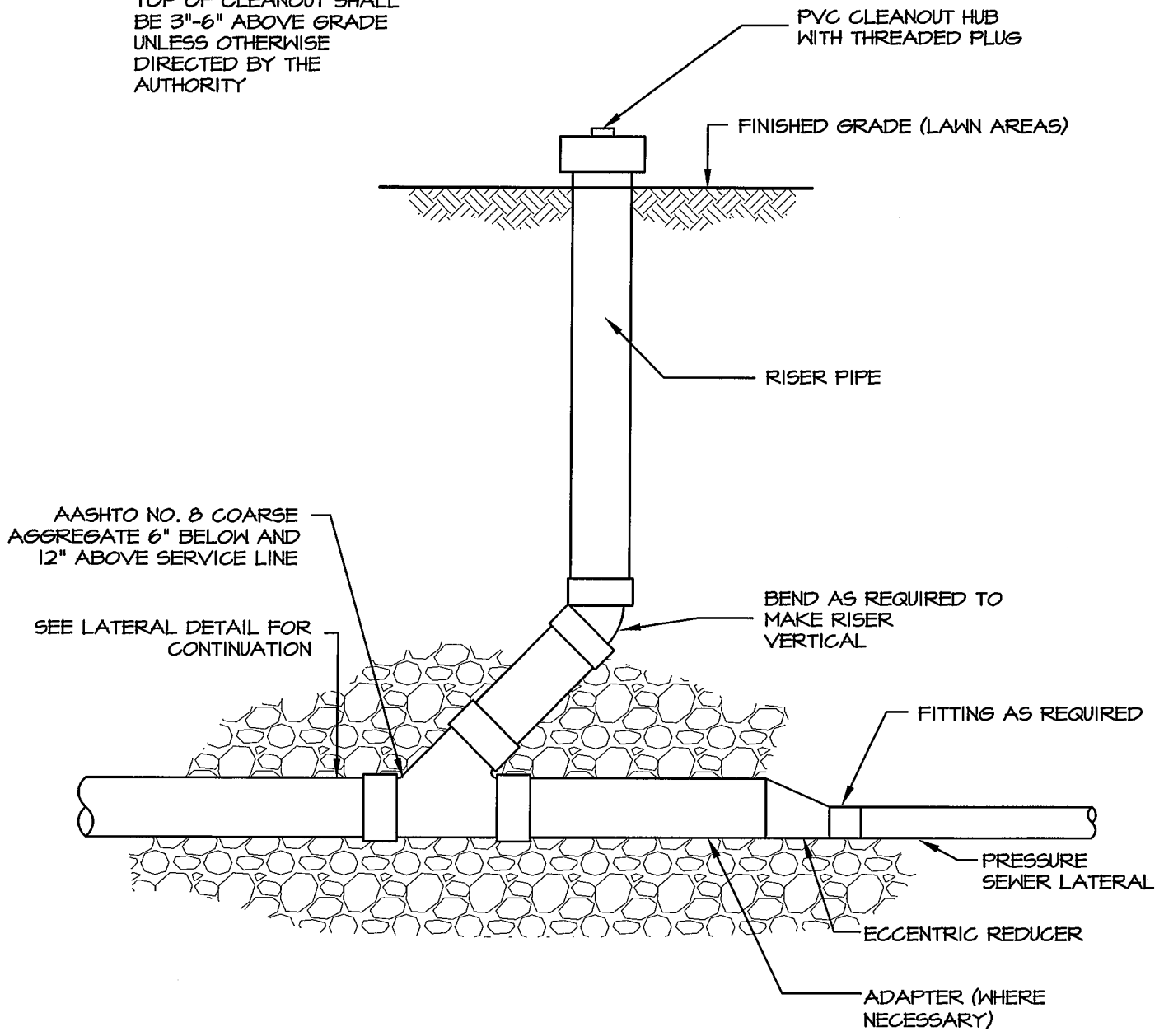


743 S. BROAD ST.  
LITITZ, PA 17543  
(717) 626-7271  
elagroup.com

PUMP STATION CONTROL PANEL SUPPORT POST  
STRASBURG BOROUGH AUTHORITY STANDARD DETAIL

SCALE:	NO SCALE	DRAWING:
DRAWN BY:	TMO	S-23A
DATE:	AUGUST 2023	

NOTE:  
 TOP OF CLEANOUT SHALL  
 BE 3"-6" ABOVE GRADE  
 UNLESS OTHERWISE  
 DIRECTED BY THE  
 AUTHORITY



# PRESSURE LATERAL PIPE TRANSITION TO GRAVITY SEWER

NO SCALE



## PRESSURE LATERAL PIPE TRANSITION TO GRAVITY SEWER STRASBURG BOROUGH AUTHORITY STANDARD DETAIL

743 S. BROAD ST.  
 LITITZ, PA 17543  
 (717) 626-7271  
 elagroup.com

SCALE:	NO SCALE
DRAWN BY:	TMO
DATE:	AUGUST 2023

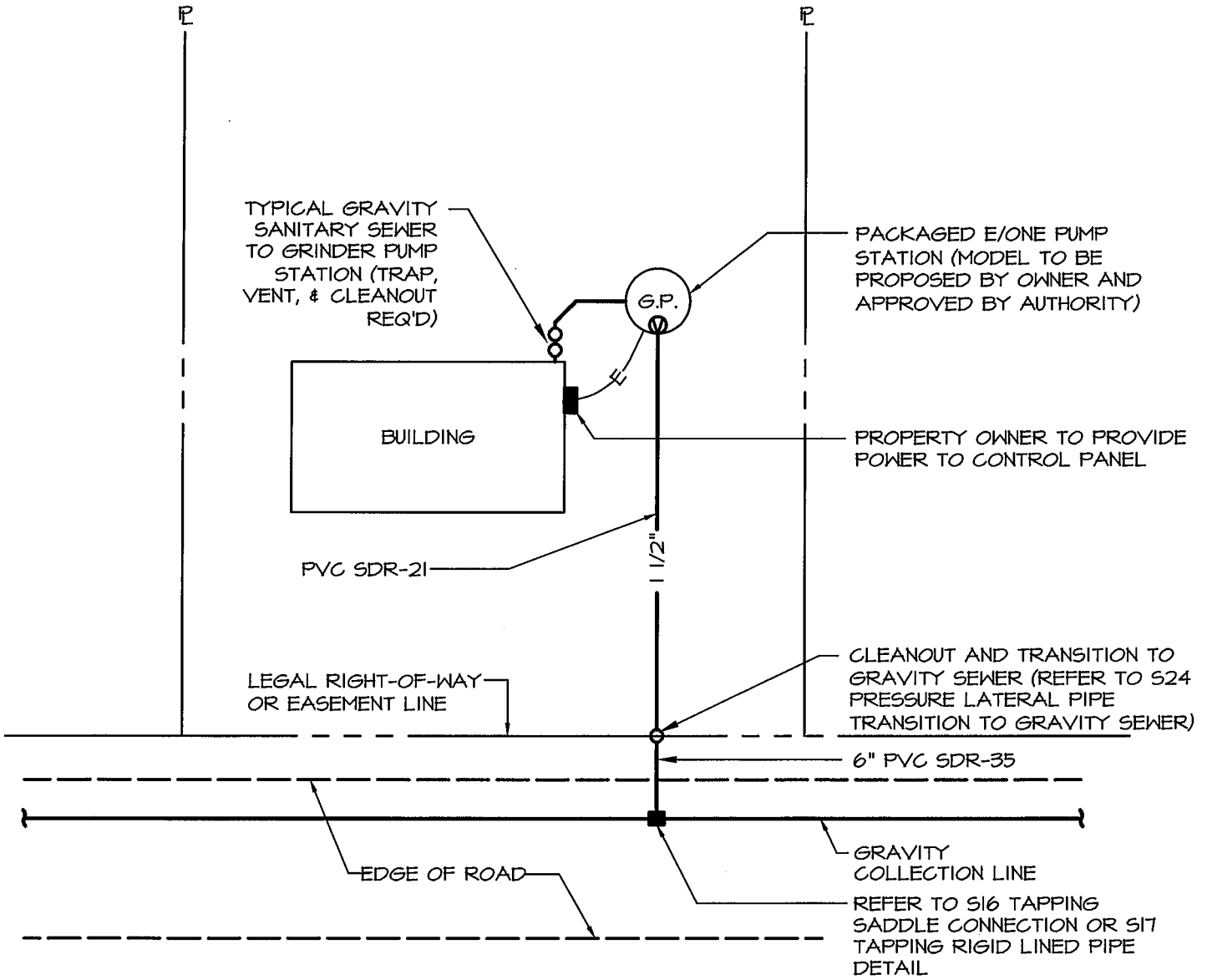
DRAWING:  
 S-24

C:\Users\mobernitzer\OneDrive\Documents\Projects\Strasburg\Strasburg\Strasburg.dwg - PLOT11.DWG: Sep 12, 2023 4:29:44 pm



**NOTES:**

- CONTRACTOR SHALL BE RESPONSIBLE TO LINE NEXT FOUR (4) DOWNSTREAM MANHOLES OR ALL MANHOLES WITHIN 1,000 LINEAR FEET DOWNSTREAM OF CONNECTION POINT, WHICHEVER IS GREATER. MANHOLES SHALL BE LINED WITH SPRAYROQ SPRAYWALL LINING SYSTEM, OR APPROVED EQUAL.



## TYPICAL PRESSURE SEWER WITH GRAVITY SEWER PROPERTY CONNECTION SCHEMATIC

NO SCALE



### TYPICAL PRESSURE SEWER WITH GRAVITY SEWER PROPERTY CONNECTION SCHEMATIC STRASBURG BOROUGH AUTHORITY STANDARD DETAIL

743 S. BROAD ST.  
LITITZ, PA 17543  
(717) 626-7271  
elagroup.com

SCALE:	NO SCALE
DRAWN BY:	TMO
DATE:	AUGUST 2023

DRAWING:  
**S-25**

DRAWING: C:\Users\kthoburn\OneDrive\Documents\Projects\Strasburg\Strasburg\030223\030223.dwg - PLOT FILE: Dec 11, 2023 3:02 pm